

HD340



IP Guest room phone | Corded handset

Short User Manual



English



German



Italian



French



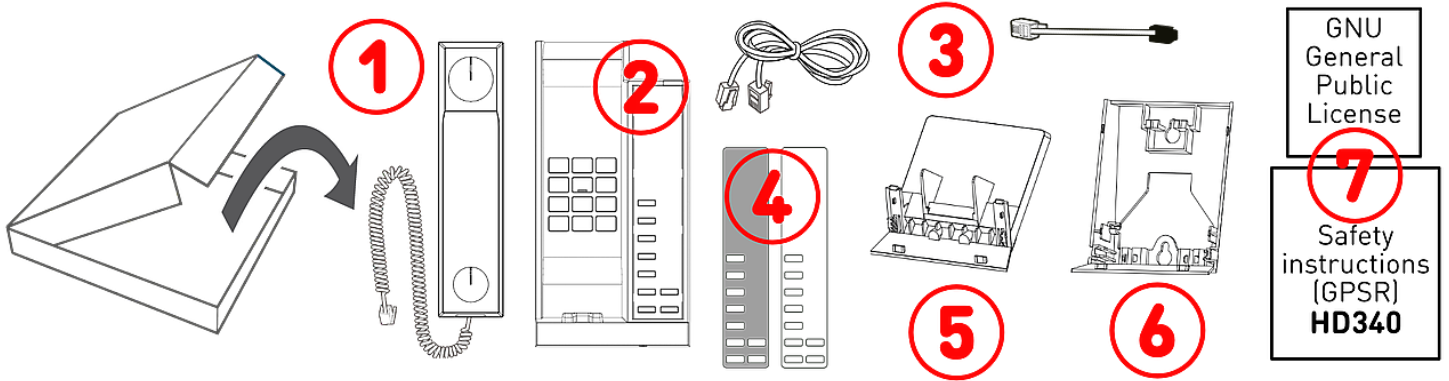
Spanish



Polish

Getting started

(A) Unpacking and inspecting the delivery content



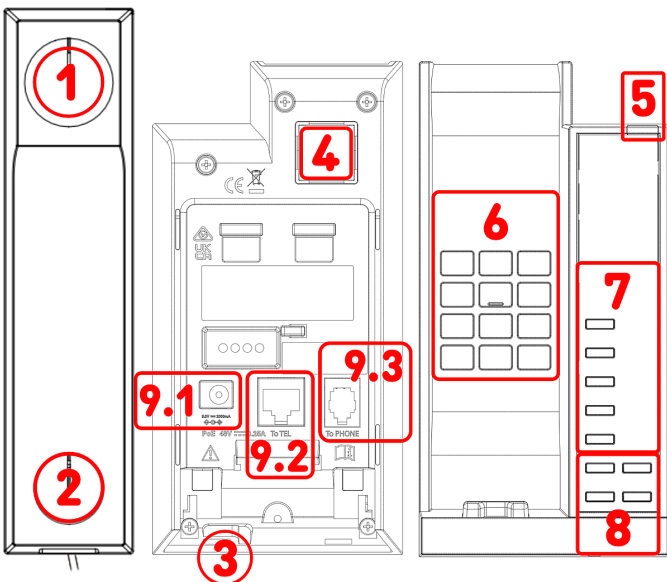
A-1: Corded handset | **A-2:** Telephone base | **A-3:** 2 Ethernet cables: 2 m and 140 mm | **A-4:** Blank faceplate and transparent cover | **A-5:** Footstand | **A-6:** Wall mount plate | **A-7:** Documentation

(B) Getting to know the HD340 components | Interfaces and connections

The hardware components of the HD340 can be summarized as follows:

Audio devices → **B-1 - B-4** | Indicators and keys → **B-5 - B-8** | Wired interfaces → **B-9**

- B-1:** Handset earpiece
- B-2:** Microphone
- B-3:** Casing microphone
- B-4:** Casing speaker
- B-5:** Call status indication and Message waiting indication (MWI): 1 red LED
- B-6:** 12 keys (standard ITU telephone keypad)
- B-7:** 5 programmable function keys: Speed dialing
- B-8:** 4 dedicated audio keys
 - **B-8.1:** Volume + / - (*VOL+*, *VOL-*)
 - **B-8.2:** Mute (with red LED)
 - **B-8.3:** Speakerphone (with red LED)
- B-9:** Wired interfaces
 - **B-9.1:** Power adapter:¹ coaxial power connector (socket) (**5.0V 2000mA**)
 - **B-9.2:** Network connectivity (PoE): 1 × RJ45-8P8C socket (**To TEL**) → Gigabit Ethernet (GbE)
 - **B-9.3:** Corded handset: custom socket (**To PHONE**)

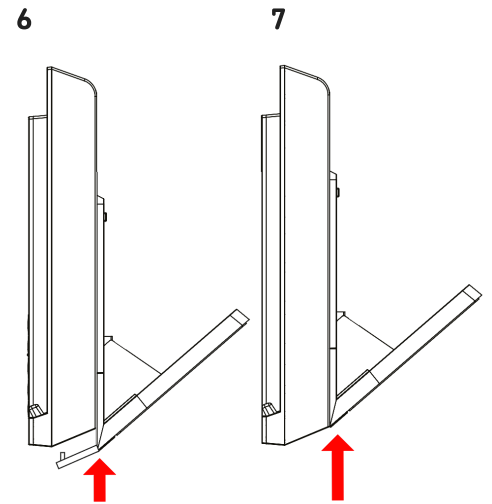


¹ Available separately | If PoE is not available

Preparing the HD340 for use

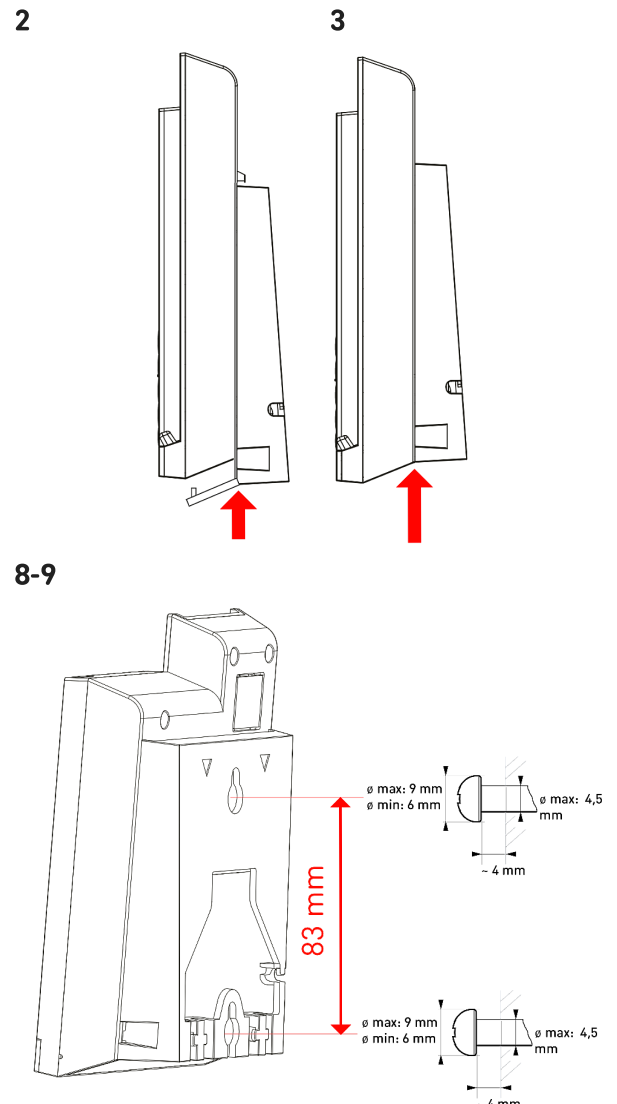
Installing the base stand for desktop usage

1. Turn the telephone base (**A-2**) over with the bottom side facing up.
2. Plug one end of the Ethernet cable (**A-3**) into the RJ45 socket (**B-9.2**) labeled (*To TEL*).
3. If PoE is not available, insert the plug of the optional available power supply into the connector (**B-9.1**) labeled *5.0V 2000mA*.
4. Connect the handset cord plug (**A-1**) into the socket (**B-9.3 To PHONE**).
5. Route all cables along the wire ducts accordingly.
6. Align the base stand with the telephone base. (see figure 6)
7. Slide the base stand up to secure it. (see figure 7)
8. Place the HD340 on an even, horizontal surface.



Installing the wall mount bracket for wall usage

1. Turn the telephone base (**A-2**) over with the bottom side facing up.
2. Align the wall mount bracket with the telephone base.
3. Slide the wall mount bracket up.
4. Plug one end of the Ethernet cable (**A-3**) into the RJ45 socket (**B-9.2**) labeled (*To TEL*).
5. If PoE is not available, insert the plug of the optional available power supply into the connector (**B-9.1**) labeled *5.0V 2000mA*.
6. Connect the handset cord plug (**A-1**) into the socket (**B-9.3 To PHONE**).
7. All cables and cords stick out from the hole in the wall mount bracket. Route all cables along the wire ducts accordingly.
8. Drill two holes into the wall at a vertical distance of 83 mm and insert wall plugs. Use screws with the specified dimensions.
9. Mount the telephone base to the wall by sliding the two eyelets over the screw heads until they click into place.



Replacing the coiled handset cord

1. Hold the handset. Press both thumbs down on the edge of the handset cover near the back of the earpiece, and slide the handset cover downwards.
2. Lift the handset cover off the handset.
3. Unplug the connector of the coiled handset cord from the jack.
4. Plug the connector of another coiled handset cord into the jack.
5. Align all the tabs on the handset cover against the corresponding grooves on the handset, then slide the handset cover closed.

Putting the HD340 into operation

Connecting and powering up

1. The phone can be operated with Power over Ethernet (PoE) provided via the network cable or, if PoE is not available in your network, with the separately available 5V DC power adapter
 - Connect the other end of the Ethernet cable to your network to establish a data link.
 - If PoE is not available, hook up the plug of the power supply to the wall outlet.
2. Snom phones are plug-and-play. Once the phone is connected to your network, it will begin to initialize.

Adjusting the HD340 settings

All telephone settings are programmed through the administrative web portal. Please refer to the *Snom SIP Phone Configuration Guide* for details. Click on the text or scan the corresponding QR code to access the respective online resource: [Snom Service Hub HD340](#)



Settings	Valid values	adjustable
Volume		
<ul style="list-style-type: none"> • Handset earpiece • Speakerphone • Ringer 	<ul style="list-style-type: none"> • 1, 2, 3, 4, 5, 6, 7, 8, 9 • Default Value 5 	<ul style="list-style-type: none"> • User • Administrator
Ringer tone	<ul style="list-style-type: none"> • 1, 2, 3 • Default Value 1 	<ul style="list-style-type: none"> • Administrator

Another way of querying and changing telephone settings from the telephone base is the **Voice menu**. The list of menu options is shown below. Menu entries with a footnote reference require a password, the default is **1234**.

1. When the telephone is idle, lift the handset from the telephone base. Enter the key sequence ********, and a digitized voice will announce the **Voice Menu** options.
2. Press a number key to select the desired menu option, or enter information. For example, to find out the IP address of the telephone, press **1** for *Network Configuration*, then press **2** for *IP Address*.
 - Network Configuration → **1** WAN Port Type, **2** IP Address, **3** Subnet Mask, **4** Gateway, **5** DNS
 - Phone Configuration → **1** Phone Number, **2** Server IP Address, **3** Port, **4** Call Forward
 - Factory Reset → **1** Reset Speed Dial to Default¹, **2** Clear All Speed Dial¹
 - Edit Speed Dial
 - Reboot¹
 - Web Access Portal → **1** Enable, **2** Disable
 - Software Version
3. When you are finished with the **Voice menu**: Place the handset in the cradle.

Note: If you changed any network settings, your telephone will automatically reboot. This will enable your new settings to take effect.

Using the HD340

Receiving calls or voice messages

- When there is an incoming call, the telephone rings and the message waiting LED flashes.
- When a voice message is received, the red message waiting LED on the telephone base flashes.

Accepting calls

With a call ringing:

- Pick up the handset
- or
- Press **2**

Note: Lights up **red** when and as long as the speakerphone mode is active.



Speakerphone

Making calls

- Pick up the handset. Enter the phone number or press a speed dial key.
- or
- Press **2**

Note: Lights up **red** when and as long as the speakerphone mode is active.



Speakerphone

- Pick up the handset. Enter the phone number or press a speed dial key.

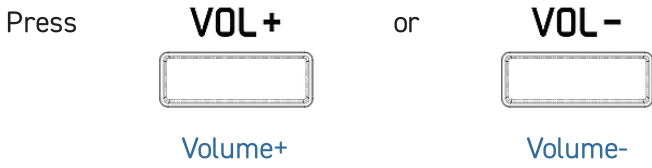
Terminating calls

- Place the handset in the cradle
- or
- When using speakerphone: Press **2**



Speakerphone

Adjusting the volume when in call | Adjusting the volume of the ringer when the phone is idle or ringing



The next call returns to the default listening volume, while the ringer volume remains as adjusted before.

Toggling between handsfree and handset mode

With an active call on the line, press



Note: Lights up red when and as long as the speakerphone mode is

Troubleshooting

Contacting Snom Support

Click this text (or scan the QR code) to read and follow the detailed instructions given on our website.



Submitting a ticket

Click this text (or scan the QR code) to read and follow the detailed instructions given on our website.



Disclaimer

Further information: Snom HD340 webpage | Snom Service Hub HD340 | Data sheet HD340 | Safety instructions HD340 | GNU General Public License | Warranty information | Type approval | Company locations

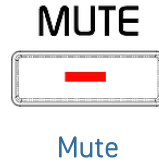
Snom, the names of Snom products, and Snom logos are trademarks owned by Snom Technology GmbH. All product specifications are subject to change without notification. Snom Technology GmbH reserves the right to revise and change this document at any time, without being obliged to announce such revisions or changes beforehand or after the fact. Although due care has been taken in the compilation and presentation of the information in this document, the data upon which it is based may have changed in the meantime. Snom therefore disclaims all warranties and liability for the accurateness, completeness, and currentness of the information published, except in the case of intention or gross negligence on the part of Snom or where liability arises due to binding legal provisions.

Speakerphone active.

Muting and unmuting the microphone

This will mute the microphone, i.e. you can hear the party on the other end, but they cannot hear you. Press again to resume the conversation.

With an active call on the line, press



Note: Lights up a red when and as long as the microphone is muted.